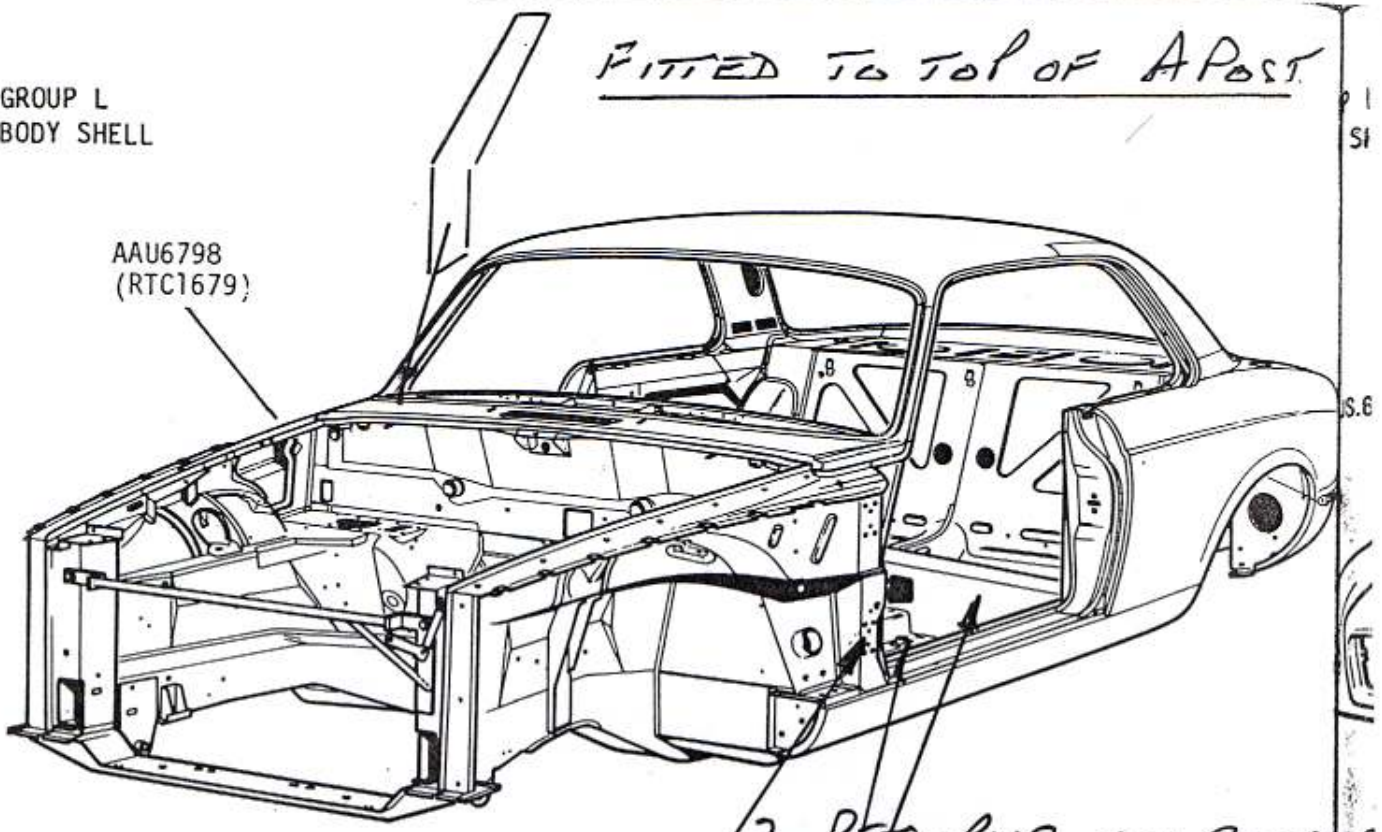


# 2<sup>OFF</sup> A. POST. SUPPORT BRACES

FITTED TO TOP OF A POST.

GROUP L  
BODY SHELL

AAU6798  
(RTC1679)



2 RETURNS ON CENTRE  
BEAM

2 OFF  
PER CAR

2. FULL INNER SILLS

FITTED AS SHOWN

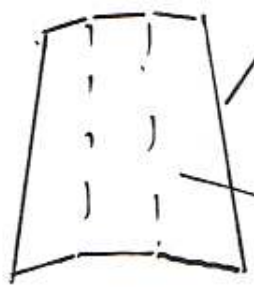
10 SWG

STEEL

THICKNESS

A. POST. SUPPORTS

LOWER.



10 SWG

THICKNESS

2 OFF PER CAR

ALL PARTS TO BE TOTALLY WELDED

ALL ROUND